



Fig. 1

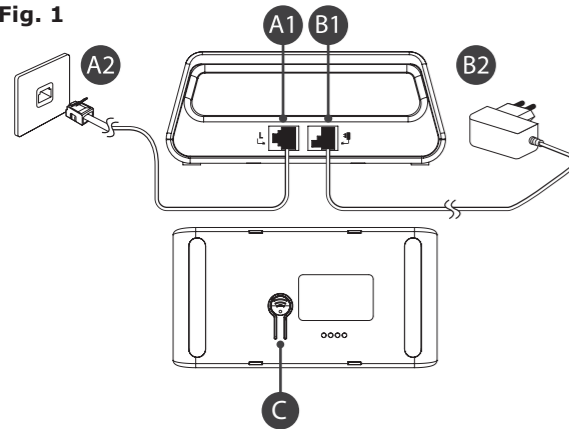


Fig. 3

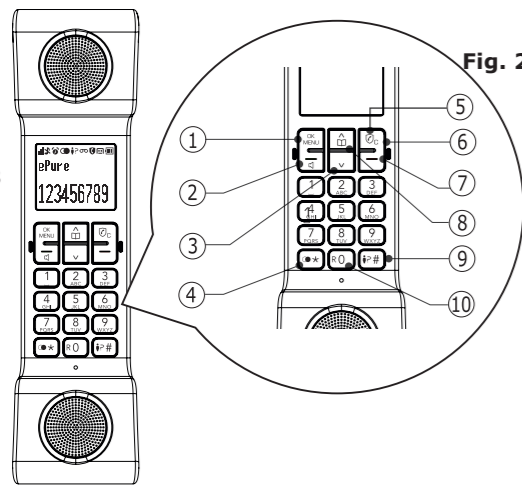


Fig. 4

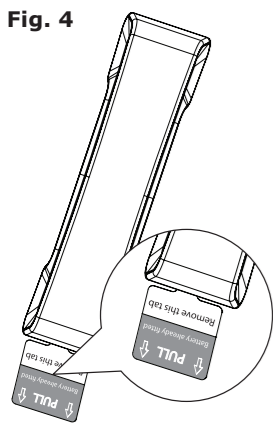
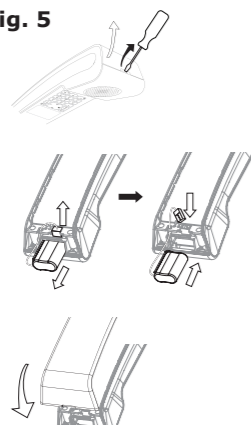


Fig. 5



ENGLISH

CONNECTING THE BASE (FIG. 1)

1. Plug the two cables into the corresponding sockets on the underside of the base station. (Fig. A1 & B1)
2. Connect the telephone line cable to the router or the wall socket (Fig. A2) and plug the power cable into a mains socket. (Fig. B2)

Warning: Always use the power cable provided in the box.
Notes: - (Fig. 1-C): see Handset paging/Registration chapter.
 - We don't provide additional Telecom plug to reduce electrical waste and recommend to reuse the plug from previous appliance.

INSTALLING THE HANDSETS AND CHARGING THE BATTERIES (FIG. 4)

- Batteries are already installed into handset.
1. Pull to remove the tab from the handset.
 2. Place the handset on the base. It will emit a beep.

We recommend to keep charging for **15 hours** before 1st use.

FIRST SETTINGS

After first time power up, welcome mode message will appear on the screen.

SELECT YOUR COUNTRY

OK MENU → √ → UK | France | Deutschland | Italia | Nederland | España | Portugal | Danmark | Sverige | Polska | ΕΛΛΑΔΑ → OK MENU

SET DATE:

OK MENU → √ → MM-DD-YY / DD-MM-YY → OK MENU → 01/01/24 → OK MENU

SET TIME:

√ → 12 HR|24 HR → OK MENU → 01:00 → OK MENU

HANDSET DESCRIPTION (Fig. 2)

1.	OK MENU	Enter the main menu , access sub menus and confirm options .
2.	☑	Press to make/answer a call . During a call: press to activate/deactivate the speaker mode .
3.	∇	Scroll down the menu items. Decrease handset/loudspeaker volume during call.
4.	⦿	Press and hold to access the redial list .
5.	🔒	Call block key: -in standby: enter call block menu. -when ringing: reject call.
6.	⏪	Cancel/correction or go back in the menu .
7.	⏩	End a call/exit menu .
8.	📖	Press to access the Phonebook . Scroll up the menu items. Increase volume .
9.	📞	Press and hold to access the call list .
10.	R	Press and hold to insert a Flash (R) .

HANDSET DISPLAY ICONS AND SYMBOLS (Fig. 3)

🔒	On indicates any call block setting is activated.
📶	Indicates that the handset is registered and within range of the base station.
🔊	Indicates that handsfree is being used.
🔔	Steadily on when an alarm is set. Flashes when the alarm is ringing.
📧	Indicates you have a new voice mail message*.
🔔	Indicates that the handset ringer is switched off.
🔋	Indicates battery charging level.
🔋	Flashes when low battery level is detected.
📞	Indicates you have a new missed calls in the call list*.
📖	Flashes when redial list is being accessed.
📖	Flashes when phonebook is being accessed.

*Subject to subscription and availability of the service from the fixed line operator.

PHONE SETTINGS

This phone can be customized according to your preferences.

TO CUSTOMIZE THE HANDSET (ringer, alert tones, contrast, equalizer, language, date & time, handset name, auto-answer...):

OK MENU → √ → HS Settings → OK MENU → √ → to select the item to setup → OK MENU → √ → to select your choice → OK MENU

Notes: - In the ringer menu, the chosen melody will be marked with a *

- In case you want to select a language different from the country's please refer to below table for HS settings and Language translations.

UK	France	Deutschland	Italia	Nederland	España
HS Settings	Régl. Comb	Mt-Einstel.	Imposta Port	Handset Inst	Conf Telef.
Language	Langue	Sprache	Lingua	Taal	Idioma
Portugal	Danmark	Sverige	Polska	ΕΛΛΗΝΙΚΑ	
Config. Term	Hs-Inst.	Hs-Inst.	Ustaw Tel	ΠΡΟΜΠΕΙΣ HS	
Idioma	Sprog	Språk	Język	ΓΛΩΣΣΑ	

TO CUSTOMIZE THE BASE (flash time, change PIN, delete handset...):

OK MENU → √ → BS Settings → OK MENU → √ → to select the item to setup → OK MENU → √ → to select your choice → OK MENU

HANDSET ALARM SETTING

OK MENU → √ → Alarm → OK MENU → √ → On/Off → HH:MM → OK MENU → √ → Once/Daily → OK MENU → √ → Snooze/On/Off → OK MENU

MAKING AND RECEIVING CALLS

MAKE AND END A CALL

Press ☑ either before or after dialing a phone number. Press — to end the call.

ANSWER A CALL

Lift the handset and press ☑ to answer a call. For handsfree conversation, press another time ☑. Press ∇ to increase or decrease the sound level.

VIEW OR DIAL A NUMBER IN CALL LIST*

The phone stores details of the last 50 calls received.

In idle mode, press and hold 📞 to select **Call list**, then press ∇ to select the desired entry, then press ☑ to dial out the selected entry.

Note: in the list, the name or numbers ended by * are the missed calls. * will disappear after reading.

View or Redial A number YOU HAVE DIALLED

The phone stores the last 20 dialed numbers (up to 24 digits each) in the redial list.

In idle mode, press and hold ⦿ then press ∇ to browse the redial list, then press ☑ to dial the selected number.

PHONEBOOK AND SPEED DIAL MEMORIES

REGISTER A CONTACT IN PHONEBOOK (maximum 100)

📖 → Phonebook → Add New → OK MENU → enter name of contact → OK MENU → enter phone number → OK MENU → √ → VIP X → OK MENU

REGISTER A CONTACT AS A VIP AND ASSIGN THEM A PARTICULAR MELODY

📖 → Phonebook → Add New → OK MENU → enter name of contact → OK MENU → enter phone number → OK MENU → √ → VIP √ → OK MENU → √ → select ringer melody → OK MENU

Notes: - VIP melody is marked with a ♫ when editing a VIP contact. - A VIP contact is marked with a ! in the phonebook.

CALL FROM PHONEBOOK

📖 → Phonebook → √ → select desired entry → ☑

SAVE SPEED DIAL ENTRY

OK MENU → √ → Direct Mem. → OK MENU → √ → to select **Key 1, Key 2 or Key 3** → OK MENU → enter number → OK MENU

DIAL A SPEED DIAL ENTRY

Press and hold 1, 2 or 3 to dial out.

HANDSET PAGING / REGISTRATION

PAGING (HANDSET SEARCH)

Short press on 📶 located under the base (Fig.1-C). The handset will ring for 60 seconds. Press any key on handset to stop ringing.

HANDSET REGISTRATION

In case the link between the base and the handset is lost or if you want to pair an additional handset:

On Base

Press and hold 📶 for about 8 seconds.

On Handset

OK MENU → √ → HS Settings → OK MENU → √ → Registration → OK MENU → PIN? will display. Enter the default PIN: 0000 → OK MENU

CALL BLOCK*

This telephone is built-in with Call Block. This feature will help you avoid nuisance calls by creating a list of numbers you want to block or only allowing some numbers to make your phone ring.

1. Default setting is "ON".

It enables you to reject calls and block numbers **one by one** when the phone is ringing by pressing 🔒 on the handset.

HOW TO BLOCK AN INCOMING CALL & ADD NUMBER TO BLOCK LIST

When the phone is ringing and before answering, press 🔒 will terminate the call and offer you the option to register the number to the blocklist.

Press OK MENU to confirm.

IMPORTANT: if you don't confirm, the number will not be added to the blocklist and the next call will go through normally.

If you confirm, numbers will be added in blocklist (maximum 100) and automatically rejected if they call again.

HOW TO ADD NUMBERS TO BLOCKLIST

🔒 → √ → Blocklist → OK MENU → √ → Add New → OK MENU → enter number to be blocked → OK MENU

From call list

Press and hold 📞 → √ to select number → OK MENU → √ →

Add to Block → OK MENU to show selected number → OK MENU → **Saved**.

HOW TO DELETE NUMBERS IN BLOCKLIST

🔒 → √ → Blocklist → OK MENU → √ to select number to delete → OK MENU → √ → Delete/Delete all → OK MENU → **Confirm?** → OK MENU

2. Instead of blocking numbers one by one, you can select automatic modes that will allow some numbers to ring as follow:

HOW TO AUTHORIZE CONTACTS ONLY

Only calls from contacts registered in your phonebook (normal and VIP) will go through and make your phone ring.

To activate this mode:

🔒 → Block Set. → OK MENU → √ → Contacts OK → OK MENU

HOW TO AUTHORIZE VIP ONLY

In this restrictive mode, only calls from numbers registered as VIP in your phonebook will go through and make your phone ring.

🔒 → Block Set. → OK MENU → √ → VIP OK → OK MENU

HOW TO TURN CALL BLOCK OFF

🔒 → Block Set. → OK MENU → √ → Off → OK MENU

Note: when call block is set to OFF, the call block keys on handset still allow you to reject calls and add them to block list, but the numbers stored in block list will no longer be blocked unless you reactivate it.

3. ANONYMOUS CALL BLOCK MODE (OFF by default)

This feature allows you to block calls that do not display a number on your phone. It can be enabled or disabled independently from the previous call block modes.

🔒 → √ → Block Anonym → OK MENU → √ to select one of the options: **Private / All / Off** → OK MENU

Block private calls

This mode will block incoming calls that have purposely kept their numbers private from you.

Block all anonymous calls

This mode will block all unknown incoming calls, including private calls, international calls, pay phone and other out-of-area calls.

*Subject to subscription and availability of the service from the fixed line operator.

TROUBLESHOOTING

As a general rule, if a problem occurs, remove the batteries from all handsets for about 1 minute, then disconnect and reconnect the power supply to the base and reinstall the handset batteries. If you need more information or support please consult the support/Q&A section on our website: www.alcatel-home.com

REPLACE BATTERY (FIG. 5)

- To access the battery, use a screw driver, insert the tip into the recess and lift the handset cover.
- Unplug the connector and remove the battery pack.
- Insert and plug-in the new battery pack.
- Replace the handset cover.

Always use same battery pack as the one provided with the phone.

SAFETY

This telephone is not designed for Emergency calls when the main power fails. Do not use your telephone to notify a gas leak or other potential explosion hazard. Do not open your device or its power supply to avoid risk of electrical shock. Do not attempt to open the batteries, as they contain hazardous chemical substances. Your telephone must be located in a dry place away from hot, humid and direct sunlight condition. To avoid radio signal interference, place the phone at least 1 meter away from other electrical appliances or other phones.

ENVIRONMENT

This symbol means that your inoperative electronic appliance must be collected separately and not mixed with the household waste. Local authority has implemented a specific collection and recycling system for which producers are responsible.

Help us protect the environment in which we live!

CONFORMITY

Hereby, ATLINKS EUROPE declares that the radio equipment type DECT is in compliance with Directive 2014/53/EU. The full text of the EU declaration of conformity is available at the following internet address: www.alcatel-home.com

- Average power per channel: 10mW
- Maximum Output Power (NTP) : 24dBm
- Frequency Range :1880-1900MHz

WARRANTY

This product is guaranteed in accordance with the laws in force in the country where you purchased it. Please consult our web page for detailed information on the guarantee applicable in that country and the steps to be taken to implement it: www.alcatel-home.com

TECHNICAL DETAILS

Field Range / Indoor Range	Up to 300 meters** / Up to 50 meters**
Handset Battery Autonomy (average values)	8 hours talk time*** 100 hours standby***
Number of Handsets	Up to 4
Electrical Connection/ Base Mains Adaptor	Base main adaptor: Model No.: EP04-035WXEZ Input: 100-240V/ 50-60Hz/ 0.2A Output: 6.5V DC /300mA, 1.95W and 7.5V DC /200 mA, 1.5W Only use the adaptors supplied with telephone. Single-phase AC, excluding IT install defined by the EN62368-1 standard. Caution: The network voltage is classified as hazard by the criteria of this standard.
Telephone Connection	Appliance designed for connection to a TRT3 class (telecommunications network voltage) analogue telephone line as defined by the EN62368-1 standard.
Batteries per handset	2 x 2/3 AAA NIMH battery pack - 2.4V 350mAh Only use the batteries pack supplied with the telephone. Use any other type of battery presents a risk of explosion. Used batteries must be disposed of in compliance with current environmental protection regulations.
Operating Temperature	From 5°C to 40°C

** Values may vary according to environment.
 *** Depending on initial battery charge.